

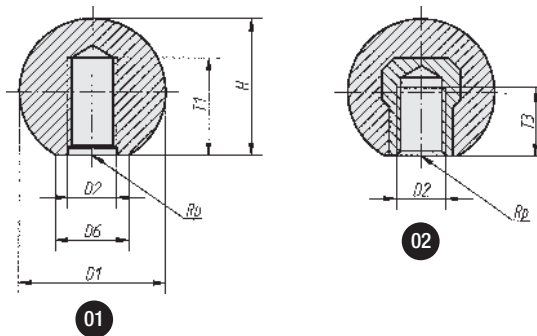
BOUTET

Boule lisse en polyamide plastique

Boule en polyamide noir. Insert en acier zingué.

Ball knob in polyamid plastic

Ball knob in polyamide, black matt, with insert in zinc plated steel.



01 Version avec filetage moulé / with plastic thread

| D1 | D2 | D6 | H | T1 min | REFERENCE |
|----|-----|----|------|--------|-----------|
| 16 | M4 | 8 | 15 | 7 | 15420 |
| 16 | M5 | 8 | 15 | 7 | 15421 |
| 20 | M5 | 12 | 18 | 9 | 15422 |
| 20 | M6 | 12 | 18 | 9 | 15423 |
| 25 | M6 | 15 | 22,5 | 11 | 15424 |
| 25 | M8 | 15 | 22,5 | 11 | 15425 |
| 32 | M8 | 18 | 29 | 14,5 | 15426 |
| 32 | M10 | 18 | 29 | 14,5 | 15427 |

02 Version avec insert fileté / with steel insert

| D1 | D2 | D6 | H | T3 min | REFERENCE |
|----|-----|----|------|--------|-----------|
| 16 | M4 | 8 | 15 | - | - |
| 16 | M5 | 8 | 15 | - | - |
| 20 | M5 | 12 | 18 | 7,5 | 15428 |
| 20 | M6 | 12 | 18 | 7,5 | 15429 |
| 25 | M6 | 15 | 22,5 | 9 | 15430 |
| 25 | M8 | 15 | 22,5 | 9 | 15431 |
| 32 | M8 | 18 | 29 | 12 | 15432 |
| 32 | M10 | 18 | 29 | 12 | 15433 |